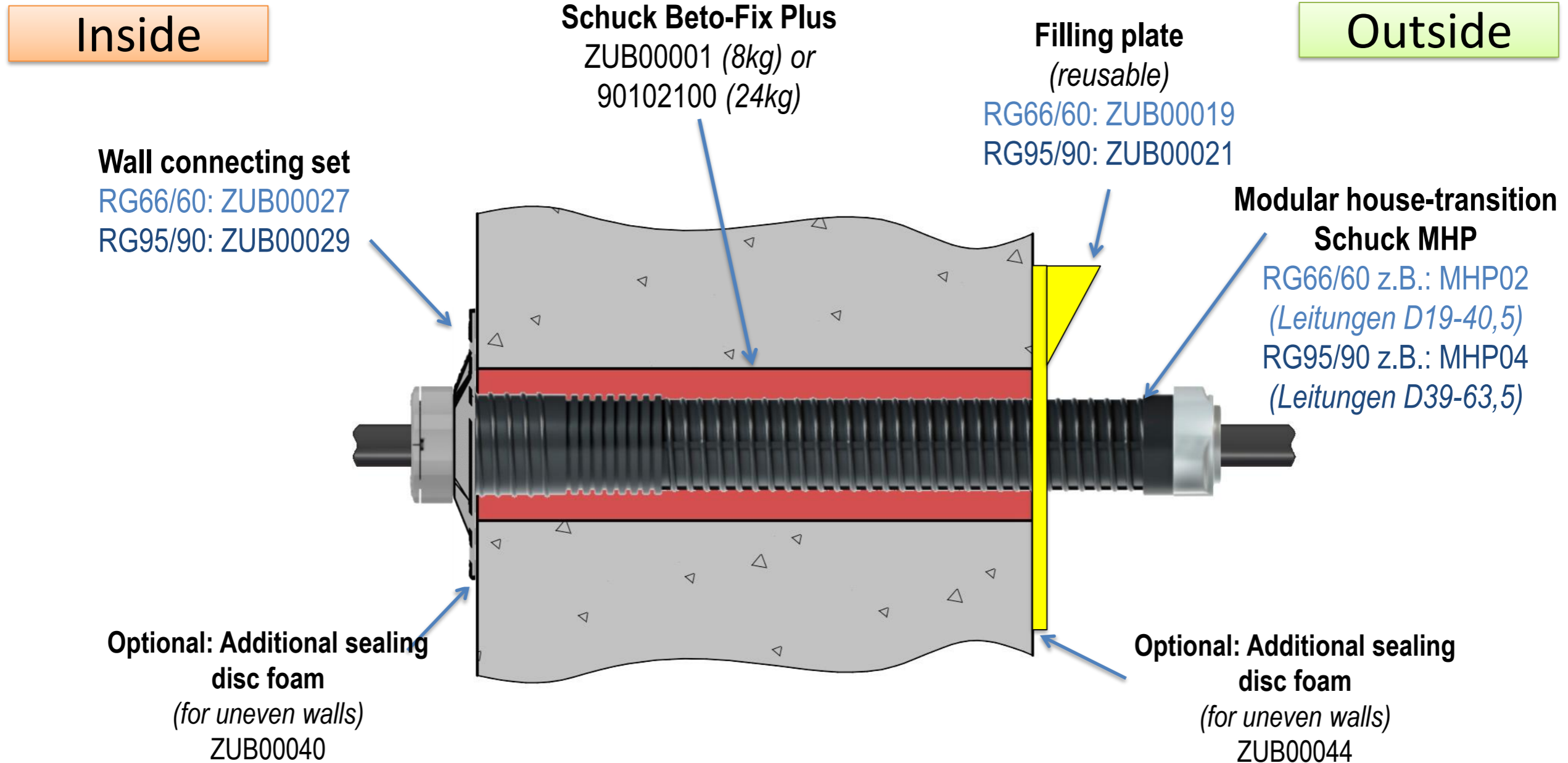


**SCHUCK MODULAR HOUSE-TRANSITION MHP - EXAMPLE OF INSTALLATION**

In case of soil moisture and non-pressing water

Loadcase W1-E as per DIN18533 / GW390 or waterproof concrete (load-class 1 and 2)



SCHUCK MODULAR HOUSE-TRANSITION MHP - EXAMPLE OF INSTALLATION

In case of pressing water up to immersion depth of 3m, loadcase W2.1-E as per DIN18533

Works also in case of non pressing water and waterproof concrete (load-class 1 and 2)

Inside

Outside

Wall connecting set  
RG66/60: ZUB00027  
RG95/90: ZUB00029

Schuck Beto-Fix Plus  
ZUB00001 (8kg) or  
90102100 (24kg)

Sealing flange 18533  
(Connection to existing  
waterproofing and casting aid)  
RG66/60: ZUB00201  
RG95/90: ZUB00203

Modular house-transition  
Schuck MHP  
RG66/60 z.B.: MHP02  
(Leitungen D19-40,5)  
RG95/90 z.B.: MHP04  
(Leitungen D39-63,5)

Optional: Additional sealing  
disc foam  
(for uneven walls)  
ZUB00040

Existing waterproofing on the  
building (usually black)

